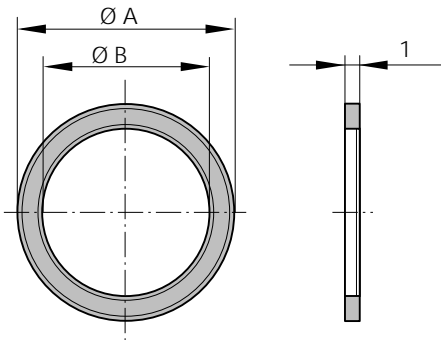


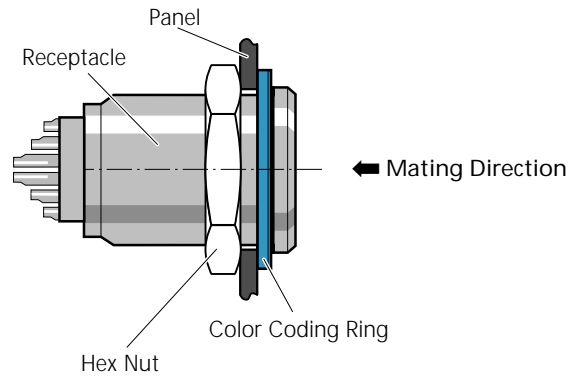


# Accessories

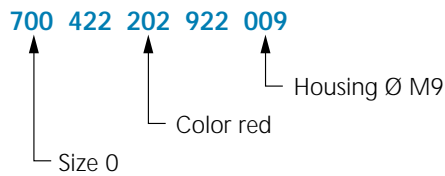
### Color Coding Ring



### Mounting Example:



### Order Example



\* = In ... please indicate color code

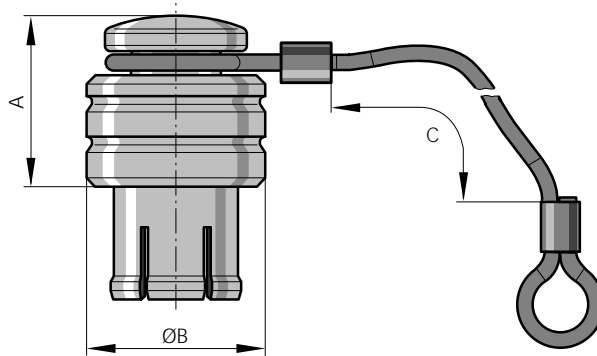
#### Size

Size	Part Number with Colour	Ø A	Ø B
00	713 422 ... 922 007	11,0	7,1
0	700 422 ... 922 009	13,5	9,1
0	700 422 ... 922 010	16,5	10,1
1	701 422 ... 922 012	17,0	12,1
1	701 422 ... 922 014	20,0	14,1
1,5	715 422 ... 922 014	21,0	14,1
2	702 422 ... 922 015	22,0	15,1
2	702 422 ... 922 016	23,0	16,1
3	703 422 ... 922 018	25,0	18,1
3	703 422 ... 922 020	28,0	20,1
3,5	735 422 ... 922 022	26,0	22,1

#### Color

Part Number with color	Color	RAL-No.
202	red	3020
203	white	9010
204	yellow	1016
205	green	6029
206	blue	5002
207	grey	7005
208	black	9005
209	orange	2004
210	violet	4005
212	brown	8016
215	light green	6018
216	light blue	5012

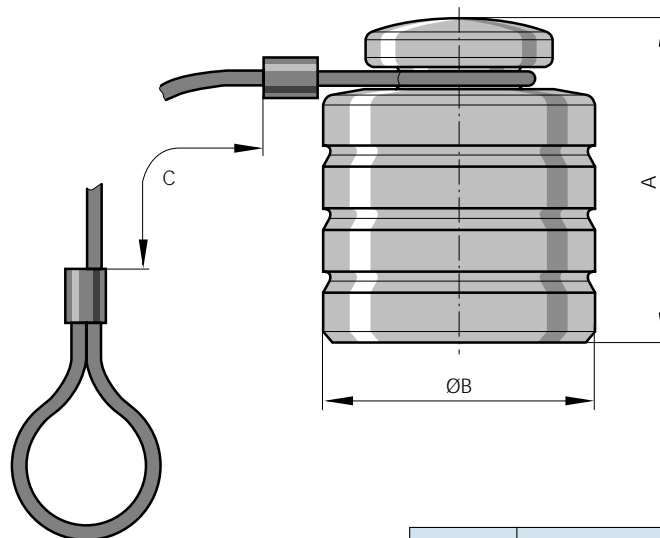
## Protective Covers for Receptacles in all Series (IP 50)



\* = In .. please indicate surface finish:  
 15 = Cu-alloy / matt chromate (Standard)  
 11 = Cu-alloy / black chromate  
 04 = Cu-alloy / nickel

Size	Part Number*	Dimensions in mm		
		A	B	C
0	700 097 003 2.. 000	9.5	10	70
1	701 097 003 2.. 000	11.5	12	75
2	702 097 003 2.. 000	14.5	15	85
3	703 097 003 2.. 000	17.0	18	100

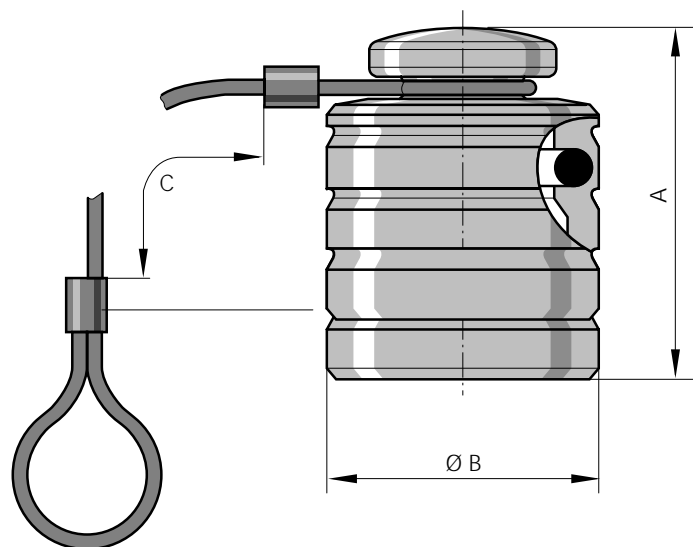
## Protective Cover for Plugs (IP 50)



\* = In .. please indicate surface finish:  
 15 = Cu-alloy / matt chromate (Standard)  
 11 = Cu-alloy / black chromate  
 04 = Cu-alloy / nickel

Size	Part Number	Dimensions in mm		
		A	B	C
0	700 097 005 2.. 000	15	9,5	70
1	701 097 005 2.. 000	16	12	75
2	702 097 005 2.. 000	18	15	85
3	703 097 005 2.. 000	21	18	100

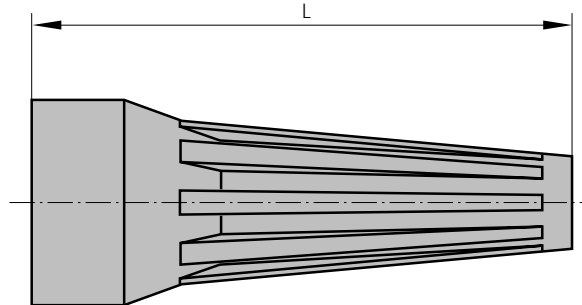
Protective Cover for Plugs (IP 68)



\* = In ... please indicate surface finish  
 15 = Cu-alloy / matt chromate  
 11 = Cu-alloy / black chromate  
 04 = Cu-alloy / nickel

Size	Part Number	Dimensions in mm		
		A	B	C
0	700 097 004 2.. 000	15.0	10.5	70
1	701 097 004 2.. 000	16.0	13.0	75
2	702 097 004 2.. 000	18.0	16.0	85
3	703 097 004 2.. 000	21.0	19.0	100

## Cable Bend Relief



\* = In ... please indicate color code

Size	Part Number*	Dim. L	Cable O.D.	
			min.	max.
00	713 022 ... 960 020	19	> 2,0	2,5
00	713 022 ... 960 030	19	> 3,0	3,5
0	700 022 ... 960 020	27	> 2,0	2,5
0	700 022 ... 960 025	27	> 2,5	3,0
0	700 022 ... 960 030	27	> 3,0	3,5
0	700 022 ... 960 035	27	> 3,5	4,0
0	700 022 ... 960 040	27	> 4,0	4,5
0	700 022 ... 960 045	27	> 4,5	5,0
1	701 022 ... 960 025	30	> 2,5	3,0
1	701 022 ... 960 030	30	> 3,0	3,5
1	701 022 ... 960 035	30	> 3,5	4,0
1	701 022 ... 960 040	30	> 4,0	5,0
1	701 022 ... 960 050	30	> 5,0	6,0
1	701 022 ... 960 060	30	> 6,0	6,5
1	701 022 ... 960 070	30	> 6,5	7,5
1,5	715 022 208 960 040	36	> 4,0	5,0
1,5	715 022 208 960 060	36	> 6,0	5,0
2	702 022 ... 960 030	36	> 3,0	3,5
2	702 022 ... 960 035	36	> 3,5	4,0
2	702 022 ... 960 040	36	> 4,0	5,0
2	702 022 ... 960 050	36	> 5,0	6,0
2	702 022 ... 960 060	36	> 6,0	7,0
2	702 022 ... 960 070	36	> 7,0	8,0
2	702 022 ... 960 080	36	> 8,0	9,0
3	703 022 ... 960 040	42	> 4,0	5,0
3	703 022 ... 960 050	42	> 5,0	6,0
3	703 022 ... 960 060	42	> 6,0	7,0
3	703 022 ... 960 070	42	> 7,0	8,0
3	703 022 ... 960 080	42	> 8,0	9,0
3	703 022 ... 960 090	42	> 9,0	10,0
3	703 022 ... 960 100	42	> 10,0	11,0
3	703 022 ... 960 110	42	> 11,0	12,0

Color Code	Color	RAL-Nr. (similar)
202	red	3020
203	white	9010
204	yellow	1016
205	green	6029
206	blue	5002
207	grey	7005
208	black	9005
209	orange	2004
210	violet	4005
212	brown	8016
215	light green	6018
216	light blue	5012

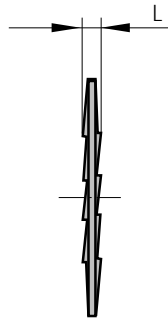
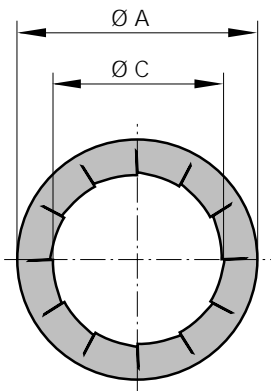
### Temperature range

PUR -40 °C up to +80 °C  
Short-term up to +120 °C

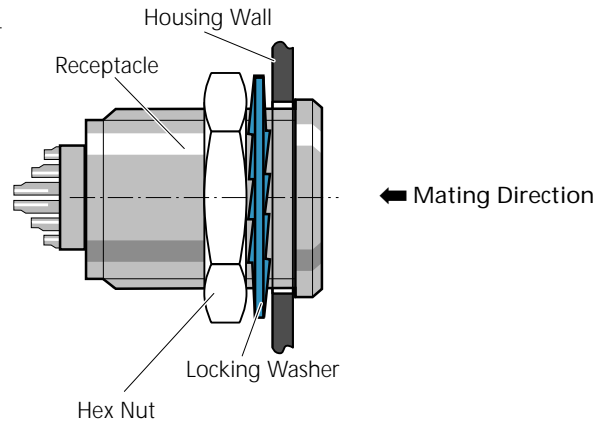
### On request:

Silicone -50 °C up to +200 °C  
Short-term up to +230 °C

### Locking Washers



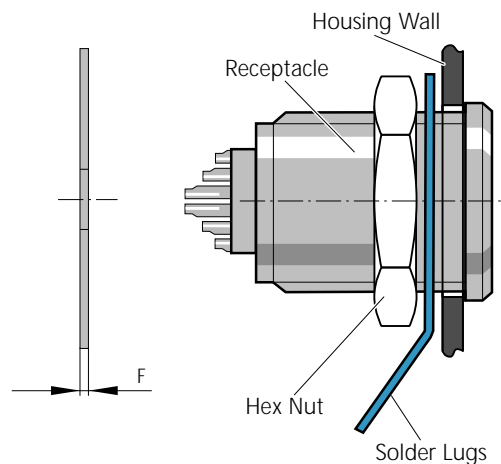
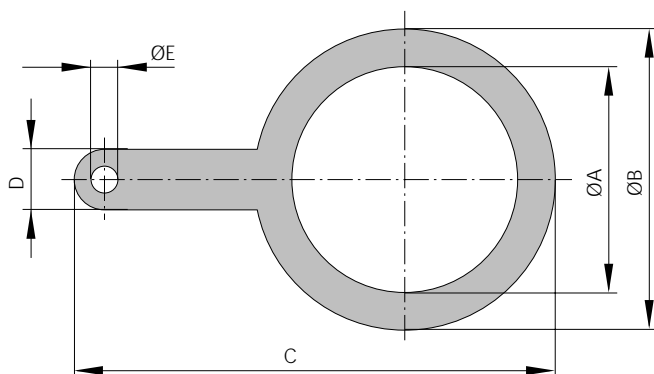
#### Mounting Example:



Nickel-plated surface

Size	Part Number	Dimensions in mm		
		A	C	L
00	945 000 001 000 057	9,5	7,1	0,6
0	945 000 001 000 046	12,5	9,2	1,0
1	945 000 001 000 047	15,8	12,2	1,1
2	945 000 001 000 048	19,3	15,1	1,3
3	945 000 001 000 049	25,0	18,1	1,4

### Solder Lugs

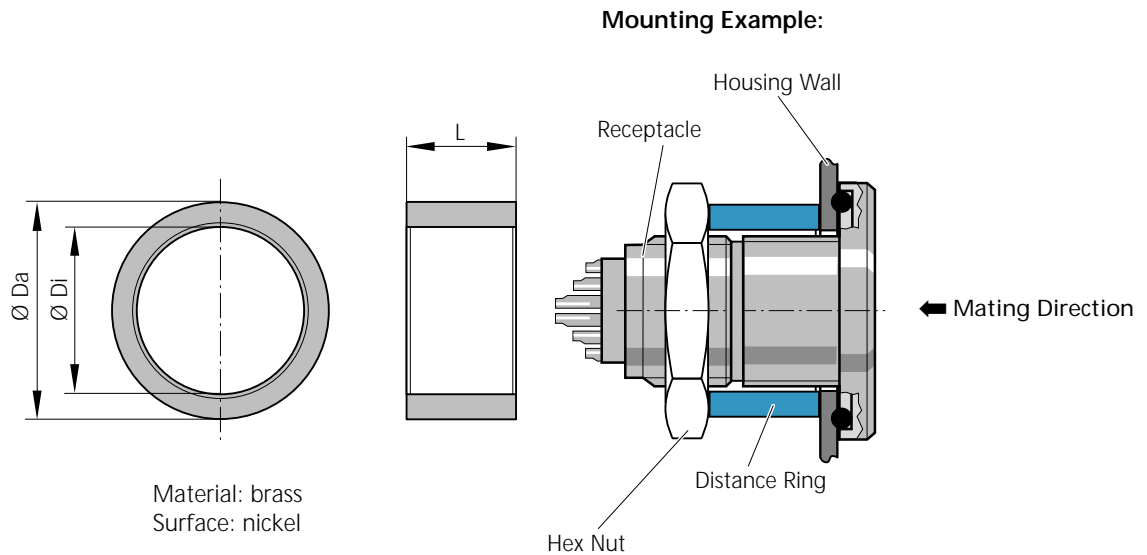


Silver-plated surface

Size	Part Number	Dimensions in mm					
		A	B	C	D	E	F
00	713 140 246 301 000	7,4	10,0	17,0	4	3,1	0,3
0	700 140 246 301 000	9,7	13,2	21,6	4	1,6	0,5
1	701 140 246 301 000	12,2	17,0	27,5	4	1,6	0,5
2	702 140 246 301 000	15,2	20,0	32,0	4	1,6	0,5
3	703 140 246 301 000	18,2	25,0	39,0	4	1,6	0,5

## Distance Ring for Wall Thickness Adjustment – for receptacle style 2

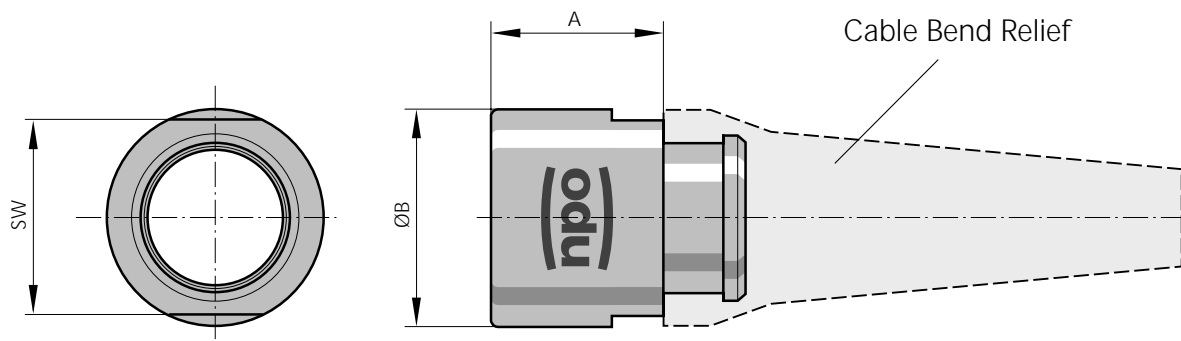
(see page 49, 78, 98)



\*: Wall Thickness: 0.5 mm - 6 mm  
\*\*: Wall Thickness: 6 mm - 16 mm

Part Number	Size	Da	Di	L
700 123 102 304 000	0	13	10,3	7
701 123 102 304 000*	1	17	14,3	12
701 123 102 304 001**	1	17	14,3	6
702 123 102 304 000	2	21	16,3	8

## Backnut for Cable Bend Relief



\* = In ... please indicate surface finish:  
15 = Cu-alloy / matt chromate  
11 = Cu-alloy / black chromate  
04 = Cu-alloy / nickel

Size	Part Number	Dimensions in mm		
		A	ØB	SW
00	713 022 117 3.. 000	6.0	6.4	5.0
0	700 022 117 3.. 000	8.0	9.0	7.0
1	701 022 117 3.. 000	10.0	11.0	10.0
2	702 022 117 3.. 001	11.5	14.0	13.0
3	703 022 117 3.. 001	11.5	17.0	15.0



**Component Electronics Corp**

**PO Box 1152**

**Lewisville, Texas 75067**

**Toll Free: 1-800-542-2287**



**ODU<sup>®</sup> products are distributed by:**

**Component Electronics Corporation**

**PO Box 1152**

**Lewisville, Texas 75067-1152**

Phone: 972-219-1774 (Toll Free at 1-800-542-2287)

Fax: 972-221-1537 (Toll Free at 1-800-435-1348)

E-Mail: [Info@ComponentElectronics.com](mailto:Info@ComponentElectronics.com)

**[www.ComponentElectronics.com](http://www.ComponentElectronics.com)**